

GUIDE TO MAINTAINING ROADWORTHINESS – HGV DRIVERS' WALKAROUND CHECK PULL-OUT

BRAKE LINES

- Check that:
- couplings are free from debris and located properly;
 - there are no leaks from the lines themselves; and
 - there is no bulging, kinking, corrosion, stretching, chafing or general damage/wear to any brake lines.

If the engine is left running until pressure has built up after the initial brake test, it will be easier to hear leaks as the rest of the walkaround test is carried out.

SECURITY OF LOAD

- Check that:
- any load is secured adequately; and
 - any container has an effective secondary locking device fitted.

MARKERS

- Check that marker boards are:
- present if the type of vehicle requires them;
 - not obscured by dirt or other objects;
 - securely fastened;
 - of the correct type; and
 - clearly visible.

REFLECTORS

- Check that the reflectors are not:
- obscured;
 - missing;
 - broken; or
 - of the wrong colour.

TYRES AND WHEEL FIXING

- Check as much of each tyre/wheel as you can see. There must be:
- minimum tread depth of 1mm;
 - sufficient inflation of each tyre;
 - no deep cuts in the sidewall;
 - no cord visible anywhere on tyre; and
 - no missing or insecure wheel-nuts.

SPRAY SUPPRESSION

- Check that spray suppression flaps are:
- fitted (where required);
 - stiff and secure;
 - undamaged; and
 - not clogged with mud or debris.

SECURITY OF BODY/WINGS

- Check that:
- all fastening devices are present, complete, secure and in working order;
 - cab doors and trailer doors are secure when closed;
 - no body panels on tractor unit or trailer are loose and in danger of falling off; and
 - no landing legs, where fitted, are likely to fall from the vehicle.

ELECTRICAL CONNECTIONS

- Check that:
- all visible wiring is insulated and is not in a position where it's likely to get chafed; and
 - all electrical switches operate their components correctly.

MIRRORS AND GLASS

- Check that all mirrors that should be there:
- are aligned properly and are secure.
- Check that your view of the road (especially in the driver's side swept area) isn't obscured by:
- damaged/discoloured glass; or
 - obstructions (stickers, etc.).
- Check that the side windows are not damaged or discoloured in a way that obscures the view to a mirror.

HORN

- Check that:
- horn control is easily accessible from driver's seat; and
 - horn unit works when control is operated.

STEERING

- Check steering for excessive play.
- When checking for leaks underneath vehicle, check the major steering components to ensure that they are present and undamaged.

BRAKES

- Check that:
- the service brake operates both the tractor and trailer (where applicable) brakes; and
 - the parking brake for the tractor is operational.
- These checks can be done by listening for the air releasing from the tractor and the trailer or by asking a colleague to watch the trailer brakes operating as you press the pedal.
- Check that:
- the service brake pedal doesn't have excessive side play or missing, loose or incomplete anti-slip provision; and
 - the trailer parking brake works by operating it as you do the walkaround check.

EXCESSIVE ENGINE EXHAUST SMOKE

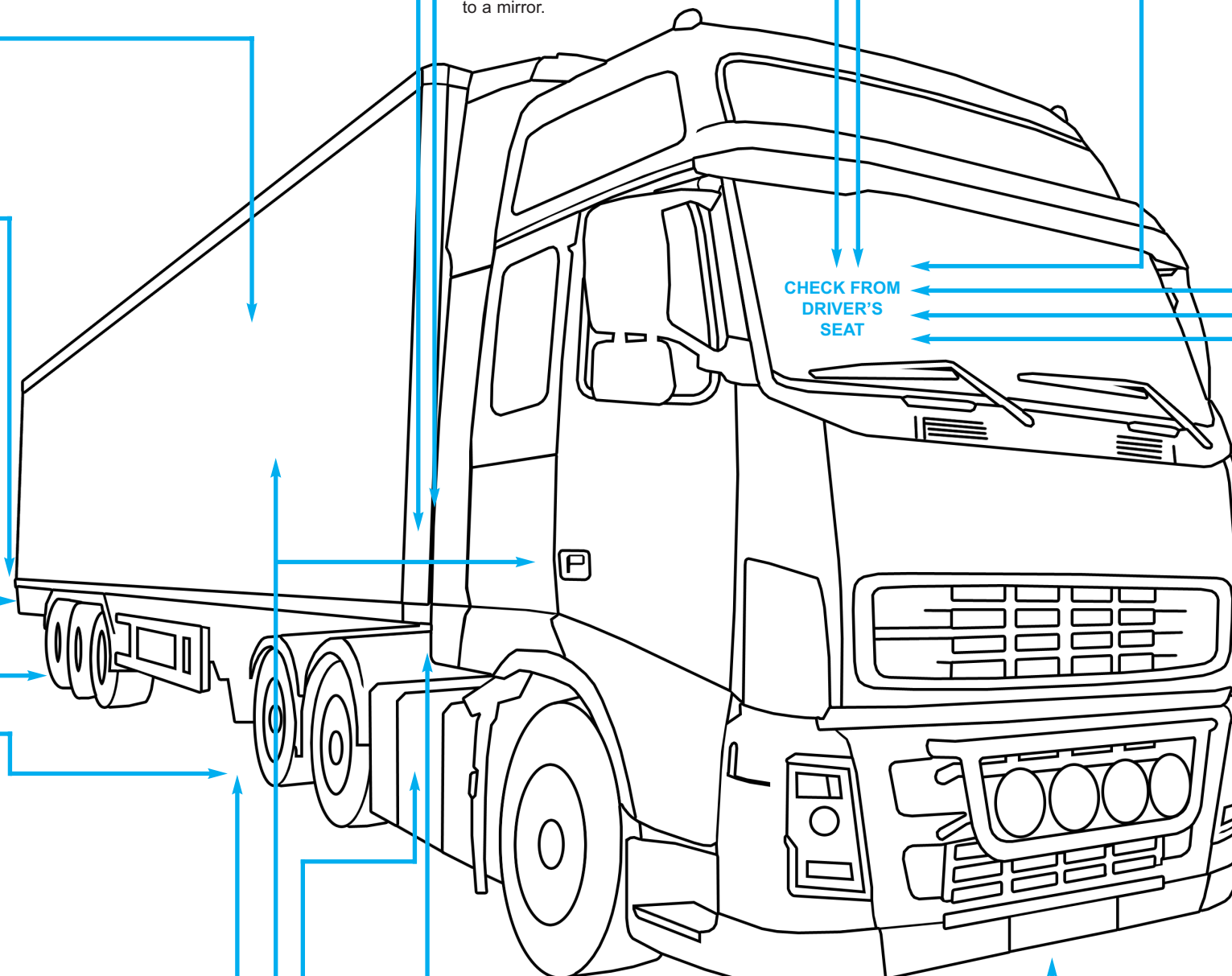
- Check that:
- the exhaust doesn't emit excessive amounts of smoke.

WINDSCREEN WIPERS AND WASHERS

- Check that:
- wipers move continually when switched on;
 - wiper blades are not so deteriorated that they don't clear the screen effectively when used with washers; and
 - washers point at screen and are operational.

LIGHTS AND INDICATORS

- Check that:
- all lights and indicators work correctly;
 - all lenses are present, clean and are of the correct colour;
 - stop lamps come on when the service brake is applied and go out when released;
 - marker lights are present and work (where applicable); and
 - all dashboard warning lamps work correctly (e.g. the ABS warning lamp, full headlamp warning lamp, parking brake warning lamp, etc.).



CHECK FROM DRIVER'S SEAT

BATTERY SECURITY/CONDITION

- Check that:
- battery is held securely in place by the correct means, not by its cables; and
 - battery is not leaking.

The battery must be replaced if it is leaking.

COUPLING SECURITY

- Check that:
- the trailer (if applicable) is located correctly in the fifth wheel; and
 - the security bar is in the correct position for its use.

FUEL/OIL LEAKS

- With engine on, check:
- underneath vehicle for any leaks of fuel/oil; and
 - that fuel filler cap is properly located.

If leaks are detected that aren't fuel or oil, trace the cause (i.e. power steering fluid, water, etc.).